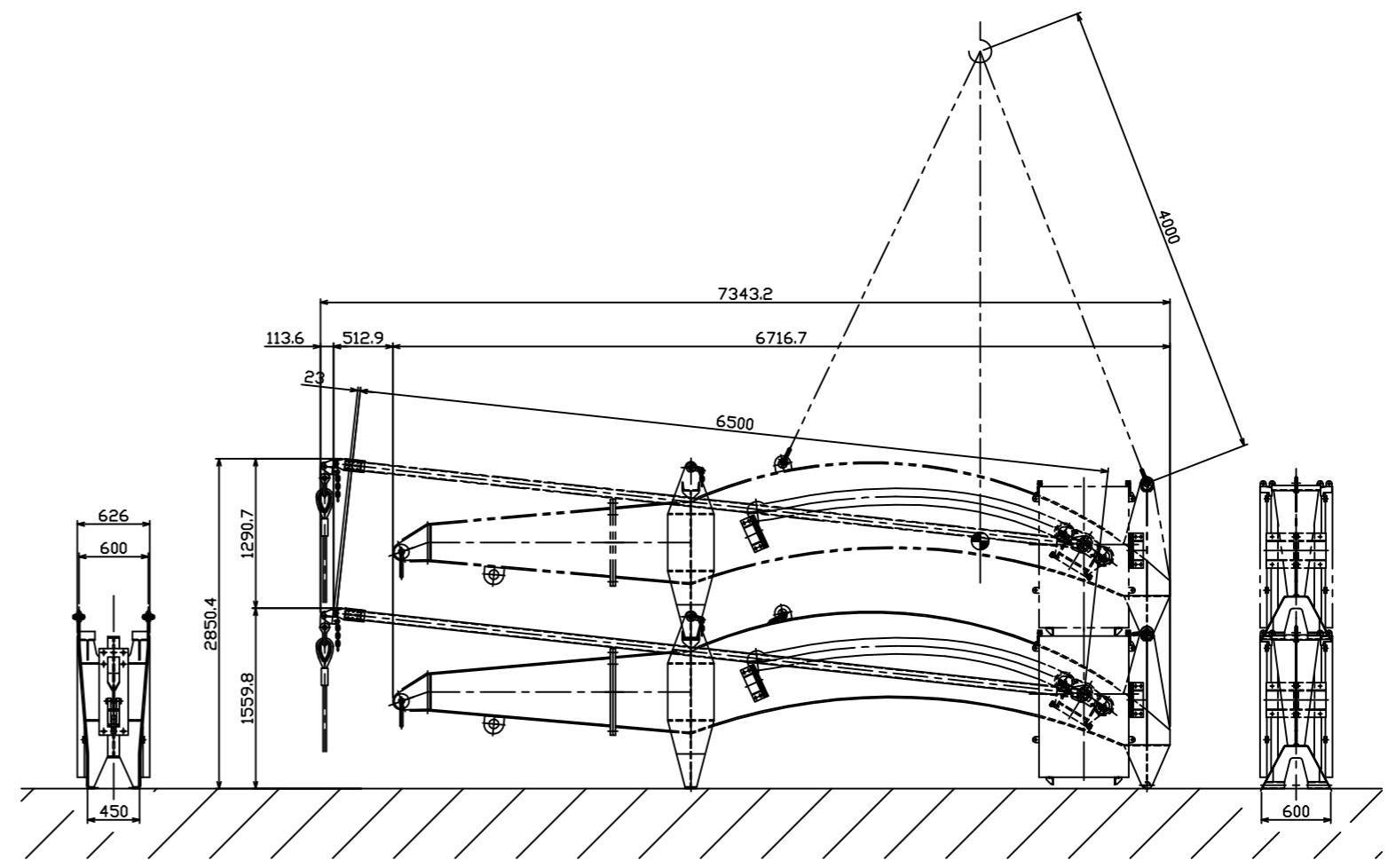
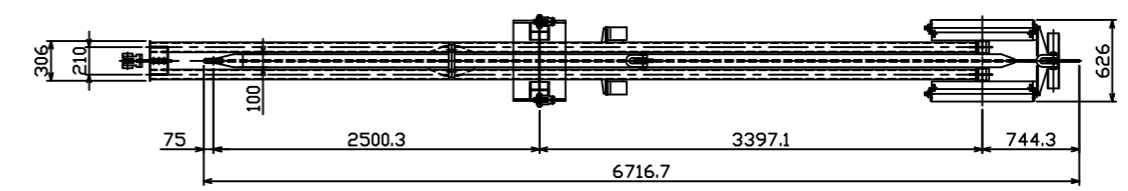
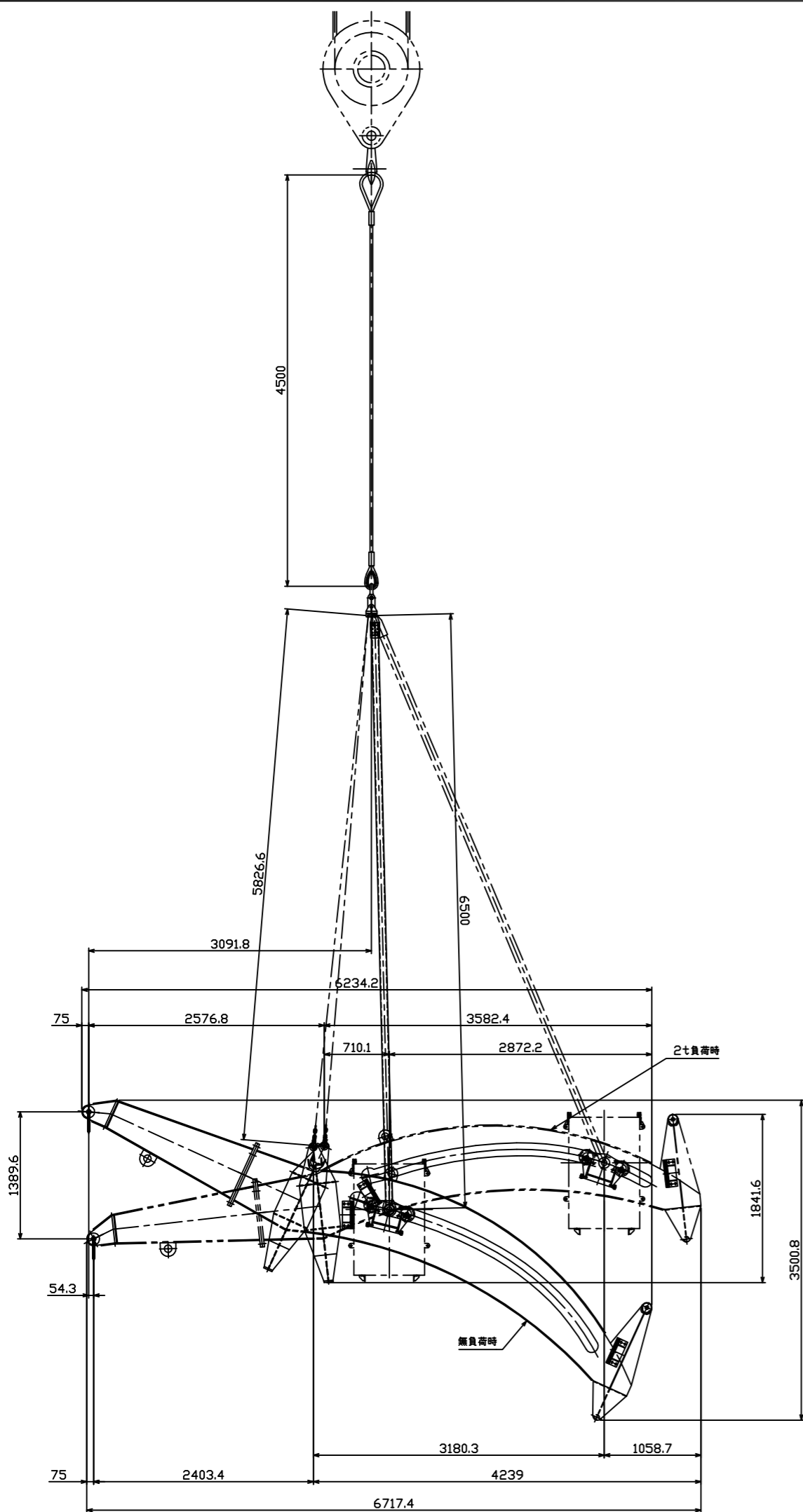


| | | |
|---|--|--|
| △ | | |
| △ | | |
| △ | | |

| 主仕様 | |
|--------|----------------|
| 吊上げ能力 | 2t |
| 跳ね出し寸法 | 2580mm |
| 制御方式 | ウェイトオーバーバランス方式 |
| 自重 | 3.2t |



未使用時

| No. | Code | PARTS NAME | MATERIAL | Q'TY | REMARK |
|------------------------|------|------------------------|----------|------|--------|
| Approved by T.Saitou | | Title | | | |
| Checked by J.Motohashi | | 2t用新型マジックビーム | | | |
| Designed by | | 全体図 | | | |
| Drawn by H.Igarashi | | ITEM Drawing No. | | | |
| Date 13. 1. 10 | | D 4869-0-001 △ | | | |
| Scale 1/30 | | YOSHINAGA MFG.CO., LTD | | | |